

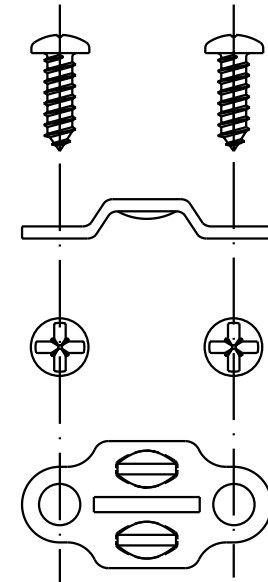
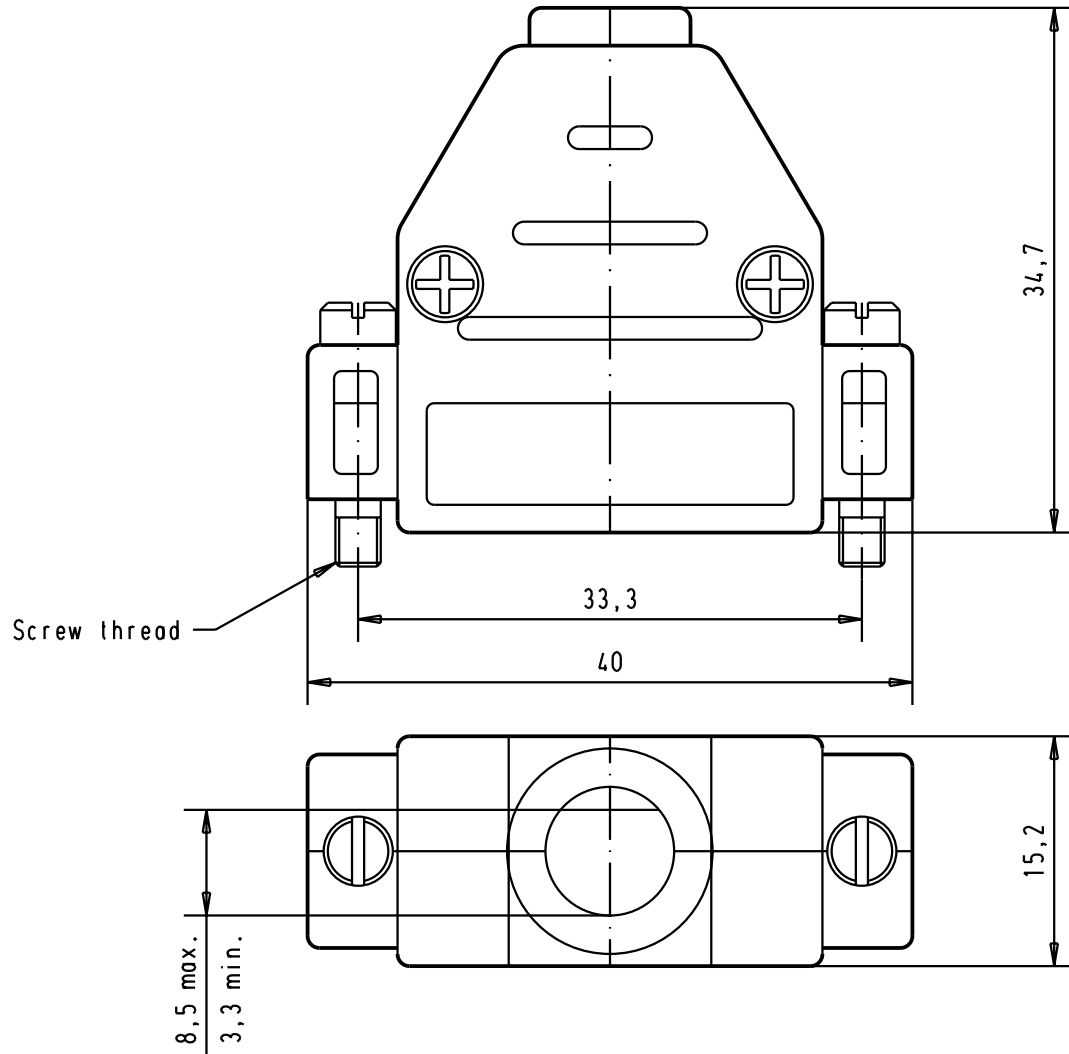
5

4

3

2

1



D

C

B

A

						DoI. Name Detail. 28-MAR-02 CV Insp. Stand.		All Dim. in mm Orig. Size DIN A 4	D-Sub, thermoplastic black hood, 15 poles with short locking screws.	Maßstab/ Scale 2:1
						HARTING EURL F-95972 Paris				
09 67 015 0442	4-40 UNC	31085	4-SEP-02	CV						
Part number	Screw thread	Mod.	Date	Name						

